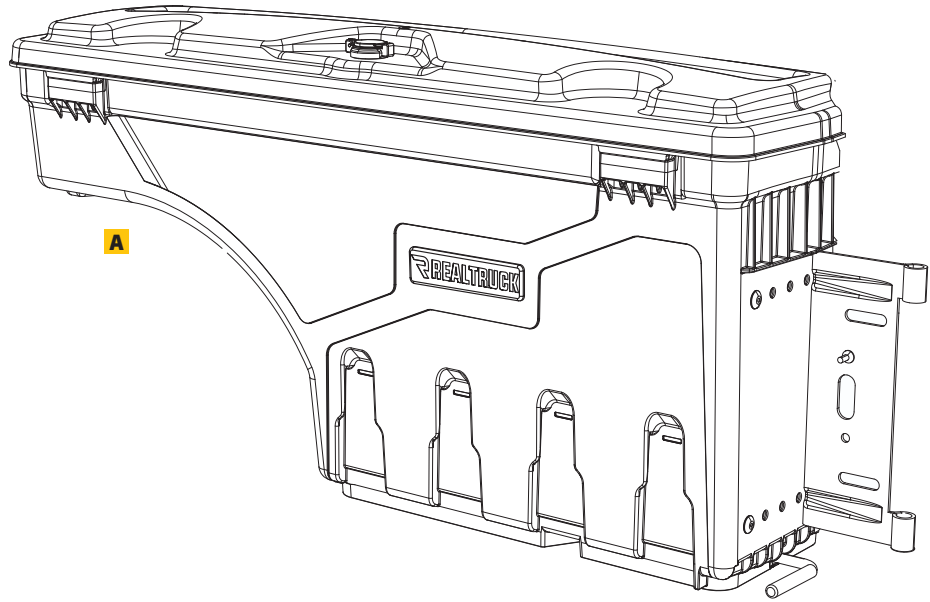


Note: This product is not compatible with BAK & UnderCover Folding Tonneau Covers.

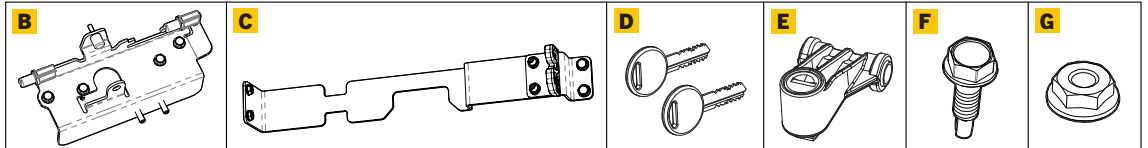
**TOOLS REQUIRED**

- 7/16" socket
- Driver / ratchet

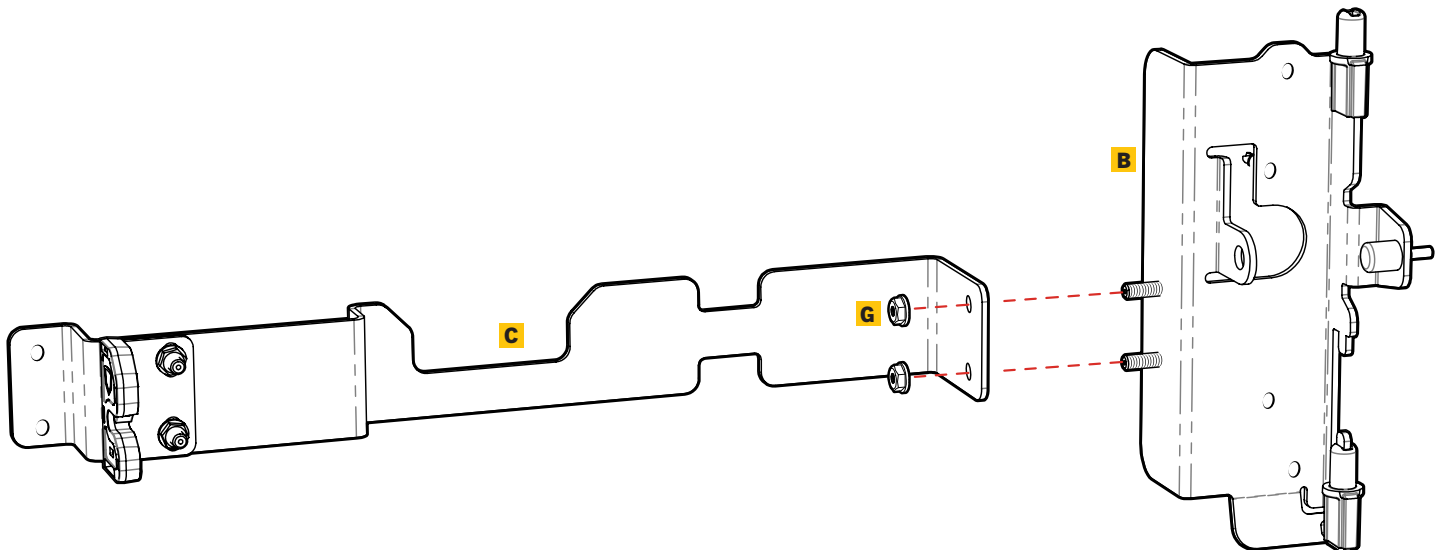


**PARTS INCLUDED IN THE BOX**

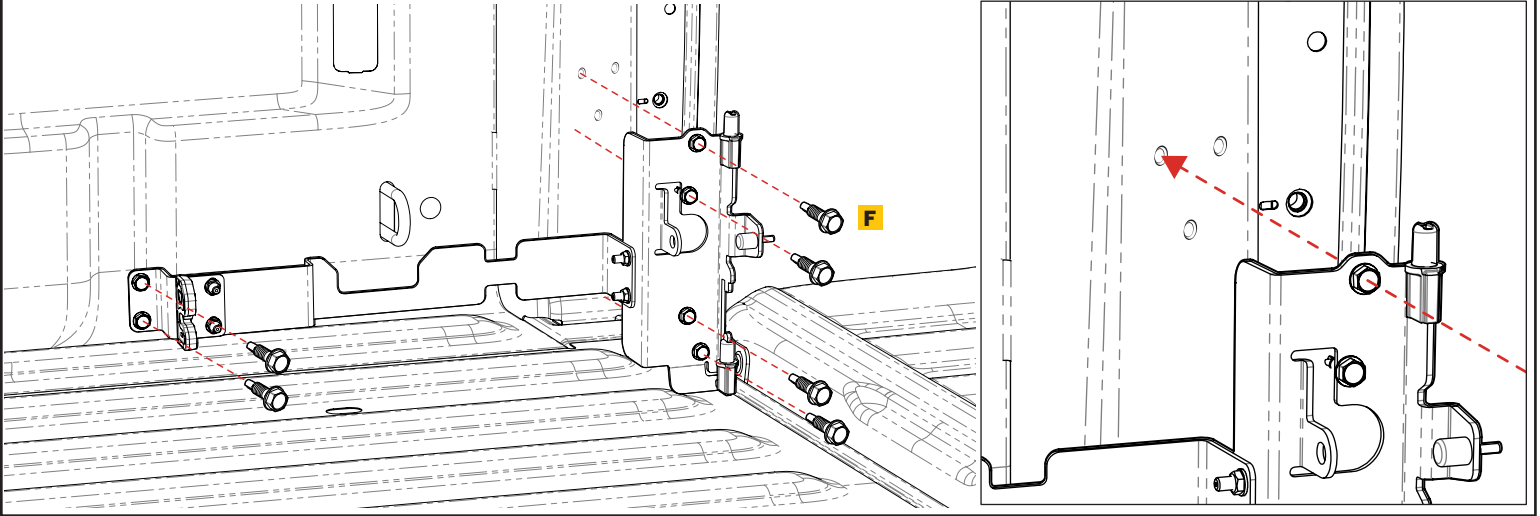
- A** 1x SwingCase
- B** 1x Truck bracket assembly
- C** 1x Striker bracket assembly
- D** 2x Keys
- E** 1x Pivot lock
- F** 6x Hex head screw
- G** 2x Hex nut



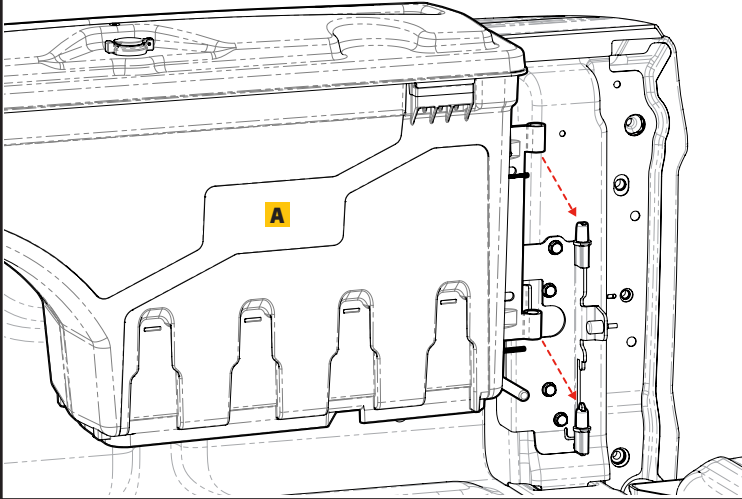
**1 BRACKET ASSEMBLY** - Attach the striker bracket to the truck bracket using the two (2) assembly nuts.



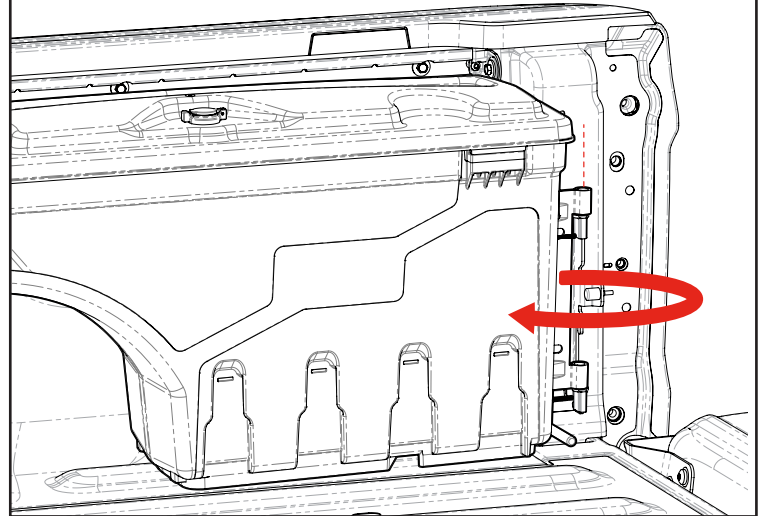
**2** **INSTALLING MOUNTING BRACKET ASSEMBLY** - Position the bracket to the light well/wheel well area. Position the top of the bracket as shown in the inset photo (referencing the top hole in the bracket and the top inset dimple on the light well). Using the six (6) self drilling screws provided, attach the bracket to the truck. Be careful not to overtighten and strip out the holes.



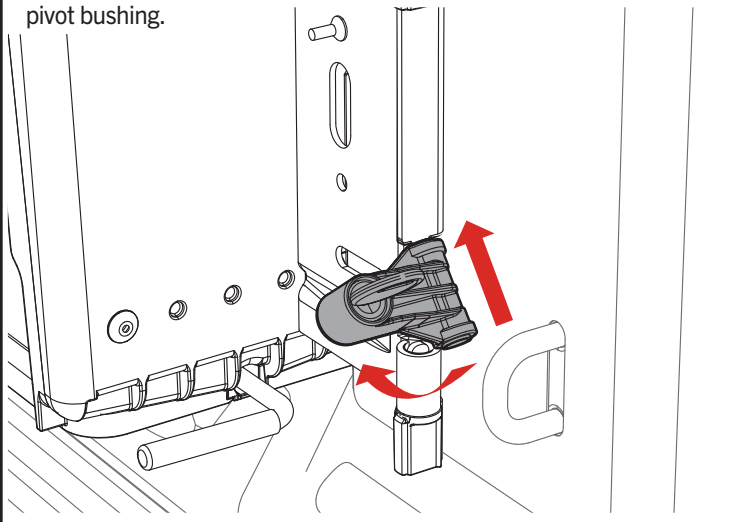
**3** **INSTALLING SWING CASE** - Lift the SwingCase (A), align the openings of the Swing-Case bracket to the pins of the truck bracket assembly, and lower the SwingCase onto the pins.



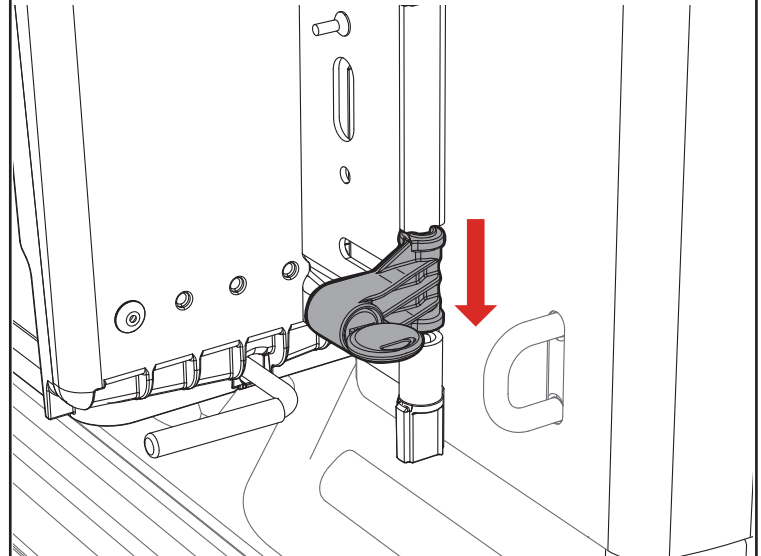
**4** **LATCH CASE** - Swing the SwingCase (A) to the truck bed wall to latch it in place.



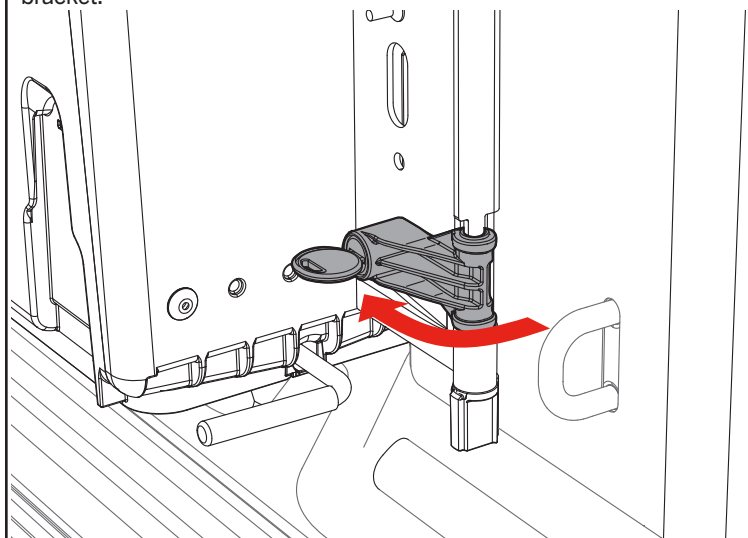
**5** Insert the supplied pivot lock (E) at an angle between the lower tab and the top of the lower pivot bushing. While pushing upward on the pivot lock, rotate the pivot lock into position over the top of the lower pivot bushing.



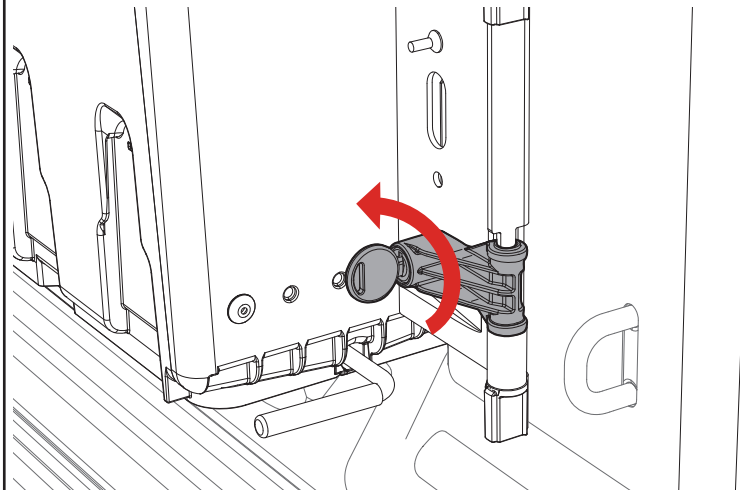
**6** Once the pivot lock (E) is over the top of the lower pivot bushing, slide the pivot lock down against the top of the pivot bushing.



- 7** Rotate the pivot lock (E) towards the box bracket, so that the pivot lock is against the bracket and lines up with the slotted hole in the bracket.



- 8** Rotate the key (F) 90 degrees into the locked position. **NOTE:** Once the pivot lock is in the locked position, it will allow the user to still pull the release handle and swing the case out over the tailgate. The pivot lock will prevent the case from being fully removed.



## CARE AND MAINTENANCE

The ABS polymer body of your SwingCase requires only periodic cleaning with mild car wash soap. **ONLY USE CLEANERS, WAXES OR PRODUCTS THAT ARE LABELED "Safe for use on plastics"**. Do not let chemicals or substances come into contact with your SwingCase unless labeled "safe for plastics". Avoid the use of all abrasive type cleaners as they may dull the finish. Be sure that insecticides do not get onto the SwingCase from contact with your hands or other parts of your body. This could cause serious damage and discoloration.

## INSTALLATION GUIDELINES

- The SwingCase is designed for trucks that do not have a bedliner (spray in bedliners pose no problem). Trucks that do have plastic drop-in bedliners or BedRugs will require some trimming of the liner to ensure proper fit of the brackets. We provide some guidelines for installing with liners, however, due to the wide variety of liner manufacturers, the modifications will vary. Any modifications must be made to the liner and **NOT** to the SwingCase mounting hardware. Modifications to the mounting hardware could result in improper installation and will void your warranty.
- The SwingCase will not work with bed extenders.
- The SwingCase will work with most tonneau covers. If you have questions regarding your installation, please contact customer service.

## SAFETY INSTRUCTIONS

- **Warning:** Chemicals that are NOT labeled safe for use with plastics should **NOT** be stored in the SwingCase. Some chemicals such as insect repellents, brake fluid, and solvents can potentially damage the plastic. Doing so may void the warranty.

# LIMITED WARRANTY

## TERMS OF THIS WARRANTY

The manufacturer warrants that the ABS polymer structure of your SwingCase will be structurally free from defects in material and workmanship for (1) one year from the retail date of purchase. The lock, hinges, and hardware are warranted to be free from defects in material and workmanship for (1) one year from the retail date of purchase. This warranty applies only to the original purchaser and is nontransferable. Your original sales receipt will serve as proof of purchase for this warranty. Be sure to retain your receipt for your proof of purchase date. Before credit can be issued on a warranty claim, proof of defect may be required. This can be determined at the time of the claim.

## EXCLUSIONS OF THIS WARRANTY

Not covered under this warranty is failure due to neglect, improper installation, including any modifications to installation hardware, alterations, addition of equipment, abuse, accident, weather related damage, exposure to chemicals that are not labeled “safe for plastics”, and normal wear from lack of maintenance.

## CAUTION

Always read the ingredients of any product you are using to clean your SwingCase. Make sure that you use only products that are safe for use with plastics. Many chemicals contain material that will permanently discolor your SwingCase. This is not considered a manufacturer defect.

## OWNER RESPONSIBILITIES

Incidental or consequential damage or loss of contents due to use, neglect, lack of maintenance, misuse, or abuse of the SwingCase is the sole responsibility of the truck owner and operator. Paint damage to your truck is not covered under this warranty. When operating your truck always keep the SwingCase in the stowed position with the lid closed and latched.

## REPAIR AND REPLACEMENT

In the event that your SwingCase is found to be defective under the terms of this warranty, it is at the manufacturer's discretion to repair or replace the defective part. All repairs must be made by an authorized SwingCase dealer or under the direction by the factory. In the case of either event, we are not responsible for any transportation costs associated with the warranted claim.

## WARRANTY REGISTRATION

Warranty registration must be on file and/or proof of original purchase (detailed and dated receipt) required for warranty to be effective.

<https://realtruck.com/undercover-warranty>

**REGISTER  
YOUR  
WARRANTY  
ONLINE**



Serial Number \_\_\_\_\_

Date of Purchase \_\_\_\_\_